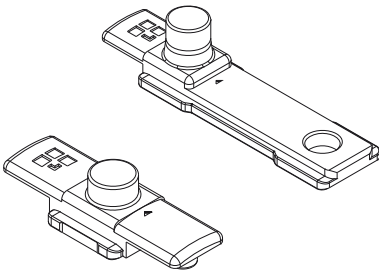


CONNECTION JOINTS WITH PAWLS



Functions

Fixed connection joint, to be combined with the adjustable striker, required to create a lock point.

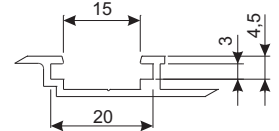
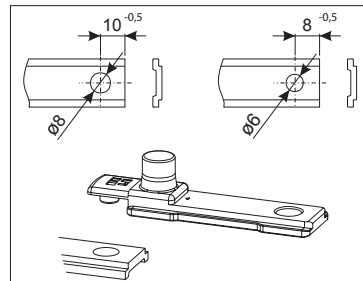
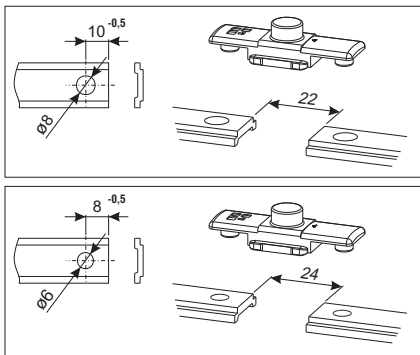
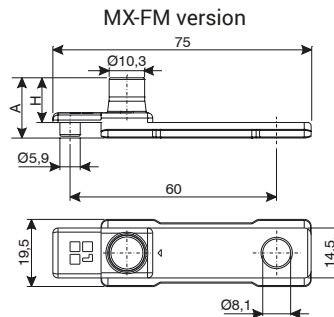
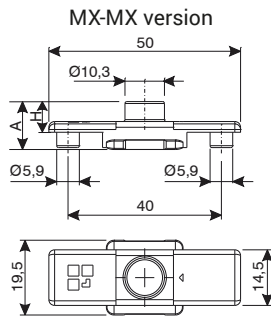
Technical Features

The connection joint can be used at the end of a connection rod or to join two together. In both cases, matched with an adjustable striker, it makes a locking point.

It is highly resistant with high tear strength.

Materials

Connection element in zamak with Giesse Silver-Plus finish (over 500 h of corrosion resistance)



Item code	Description	PROFILE CROSS - SECTION	A	H	Base Raw	Anodised Elox	Painted	Trend/Gold Brass	Pieces per pack
04047K	FIXED CONNECTION JOINT MX-MX	C001-C002-C003-C004-C005-C006-C011-C012-C013-C014-C015-C016-C017-P001-P002-P003-P004-P005-P006-P007-P008-P009-P010	12.5 mm	8 mm	X				200
04662K	FIXED CONNECTION JOINT MX-MX	-	17.5 mm	13 mm	X				100
04663K	FIXED CONNECTION JOINT MX-FM	-	17.5 mm	13 mm	X				100
04664K	FIXED CONNECTION JOINT MX-FM	C001-C002-C003-C004-C005-C006-C011-C012-C013-C014-C015-C016-C017-P001-P002-P003-P004-P005-P006-P007-P008-P009-P010	12.5 mm	8 mm	X				100