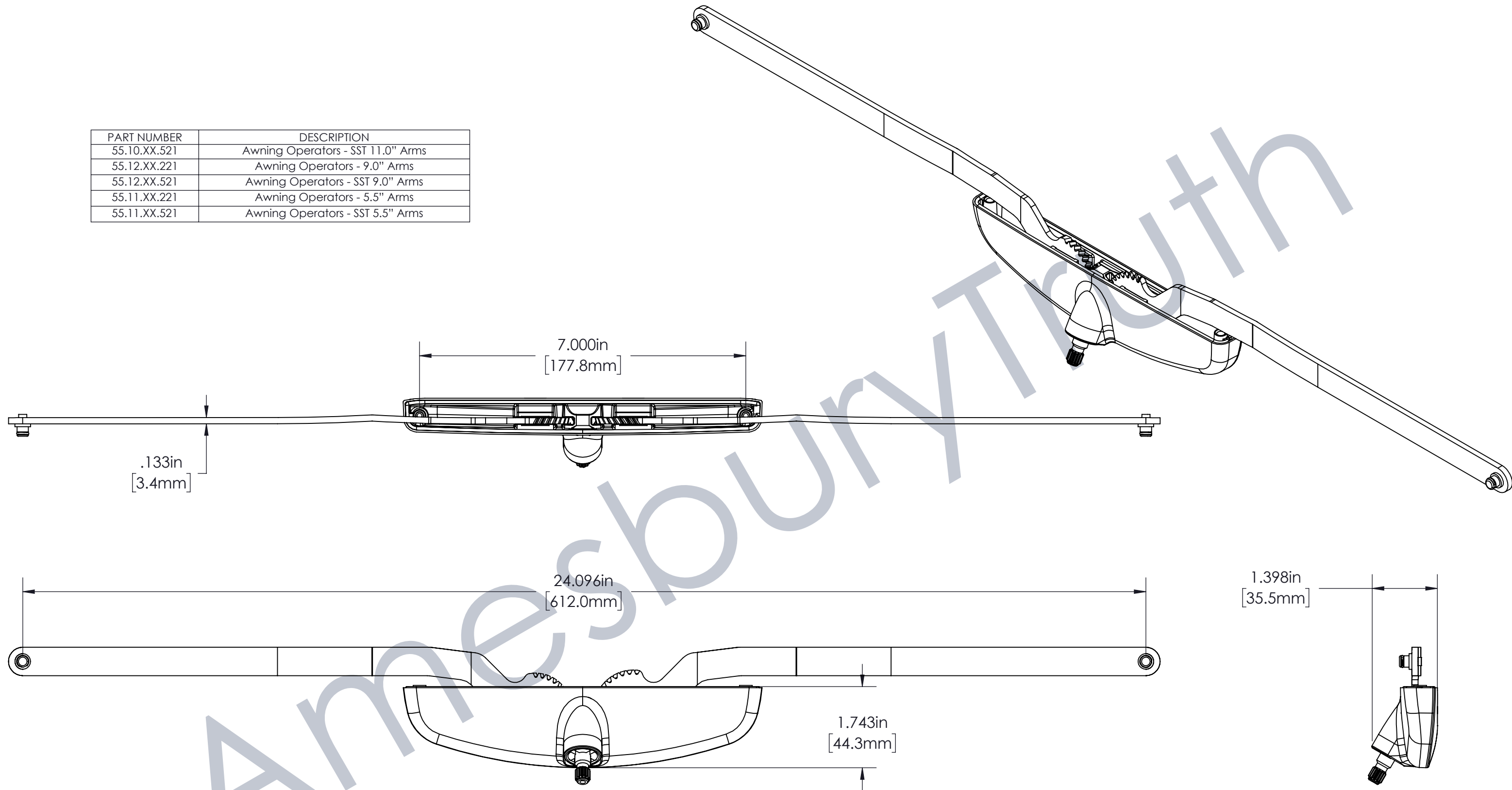
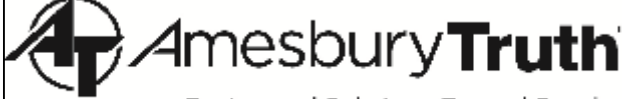
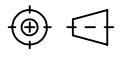


PART NUMBER	DESCRIPTION
55.10.XX.521	Awning Operators - SST 11.0" Arms
55.12.XX.221	Awning Operators - 9.0" Arms
55.12.XX.521	Awning Operators - SST 9.0" Arms
55.11.XX.221	Awning Operators - 5.5" Arms
55.11.XX.521	Awning Operators - SST 5.5" Arms



CUSTOMER PAGE

 <p>Amesbury Truth Engineered Solutions. Trusted Results.</p>	INTERPRET PER: ASME Y14.5M-2009 UNITS: INCH	DRAWING TITLE: CONTOUR EUR AWNING OPERATOR	
	THIRD ANGLE PROJECTION 	SCALE: 1:2 DRAWING #: 55.10.00.221	SHEET 1 OF 1

THE INFORMATION CONTAINED IN THIS DRAWING IS CONFIDENTIAL AND PROPRIETARY. THIS DRAWING IS NOT TO BE COPIED OR REPRODUCED IN WHOLE OR IN PART WITHOUT EXPRESS WRITTEN PERMISSION.