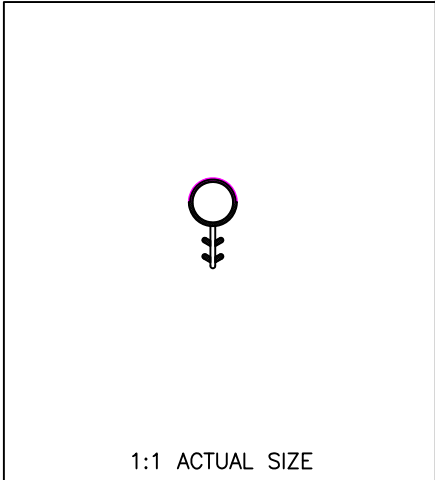
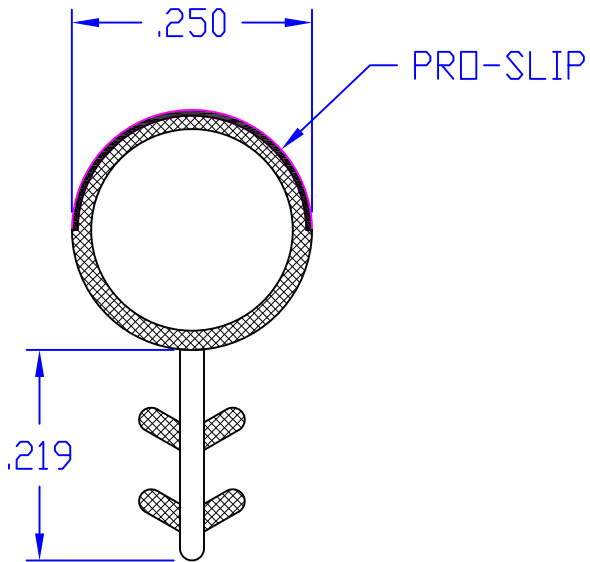


REV	DESCRIPTION	DATE	ECO#	BY
-----	-------------	------	------	----



REFER TO CAD DRAWING FOR ALL DIMENSIONS NOT FULLY CONSTRAINED.

1:1 ACTUAL SIZE



INTERPRET PER:
SAME Y14.5M-2009

UNITS: INCH

TOLERANCE UNLESS
OTHERWISE SPECIFIED

DRAWING TITLE:

- CUSTOMER PAGE -

DRAWN BY:

DCL

CHECKED BY:

KERF MOUNT BULB SEAL AP-425

SCALE:

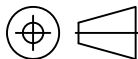
5:1

SHEET:

1 OF 1

THE INFORMATION CONTAINED IN THIS
DRAWING IS CONFIDENTIAL AND
PROPRIETARY. THIS DRAWING IS NOT TO
BE COPIED OR REPRODUCED IN WHOLE
OR IN PART WITHOUT EXPRESS WRITTEN
CONSENT.

THIRD ANGLE
PROJECTION



CRITICAL
DIMENSIONS

CAD TYPE:

AUTOCAD

SIZE:

A

DRAWING #:

PP3356

REV:

0