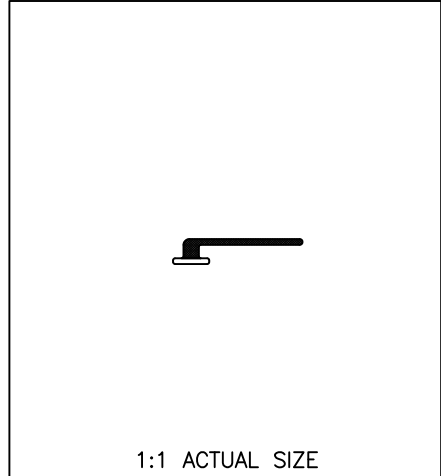
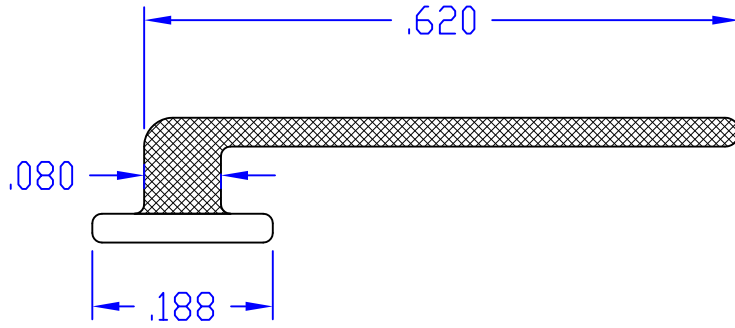


REV	DESCRIPTION	DATE	ECO#	BY
-----	-------------	------	------	----



REFER TO CAD DRAWING FOR ALL DIMENSIONS NOT FULLY CONSTRAINED.



INTERPRET PER:  
SAME Y14.5M-2009

UNITS: INCH

TOLERANCE UNLESS  
OTHERWISE SPECIFIED

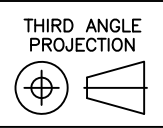
DRAWING TITLE:  
**- CUSTOMER PAGE -**

**T-SLOT LEAF SEAL**

DRAWN BY: **DCL** CHECKED BY:

SCALE: **5:1** SHEET: **1 OF 1**

THE INFORMATION CONTAINED IN THIS DRAWING IS CONFIDENTIAL AND PROPRIETARY. THIS DRAWING IS NOT TO BE COPIED OR REPRODUCED IN WHOLE OR IN PART WITHOUT EXPRESS WRITTEN CONSENT.



CAD TYPE: **AUTOCAD** SIZE: **A** DRAWING #: **PP1829** REV: **2**