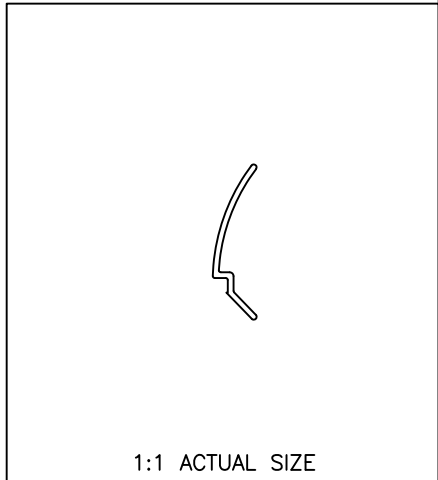
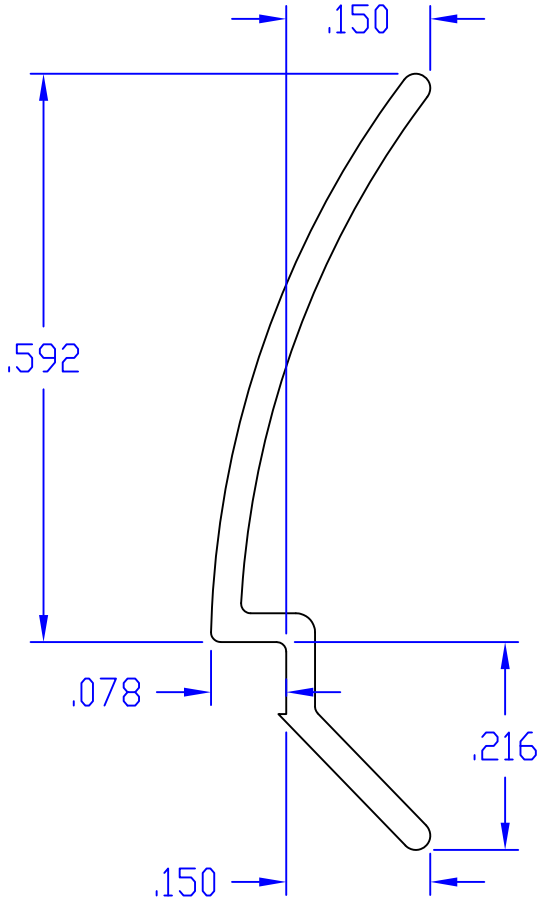

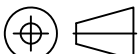



REV	DESCRIPTION	DATE	ECO#	BY
-----	-------------	------	------	----



REFER TO CAD DRAWING FOR ALL DIMENSIONS NOT FULLY CONSTRAINED.

 <b>Amesbury Truth</b> Engineered Solutions. Trusted Results.	INTERPRET PER: SAME Y14.5M-2009	DRAWING TITLE:			
	UNITS: INCH	- CUSTOMER PAGE -			
<b>GLAZING BEAD</b>	TOLERANCE UNLESS OTHERWISE SPECIFIED	DRAWN BY:	CHECKED BY:		
		SCALE:	SHEET:		
THE INFORMATION CONTAINED IN THIS DRAWING IS CONFIDENTIAL AND PROPRIETARY. THIS DRAWING IS NOT TO BE COPIED OR REPRODUCED IN WHOLE OR IN PART WITHOUT EXPRESS WRITTEN CONSENT.	 CRITICAL DIMENSIONS	CAD TYPE:	SIZE:	DRAWING #:	REV:
		AUTOCAD	A	PP1471	1