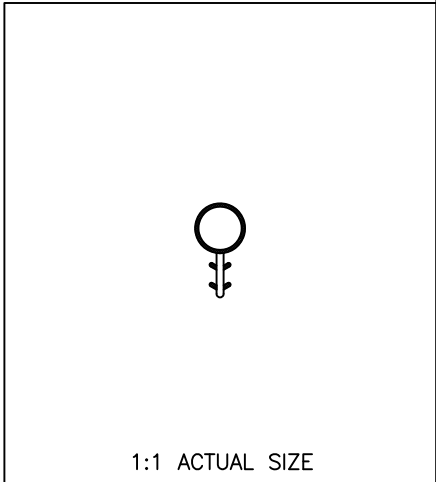
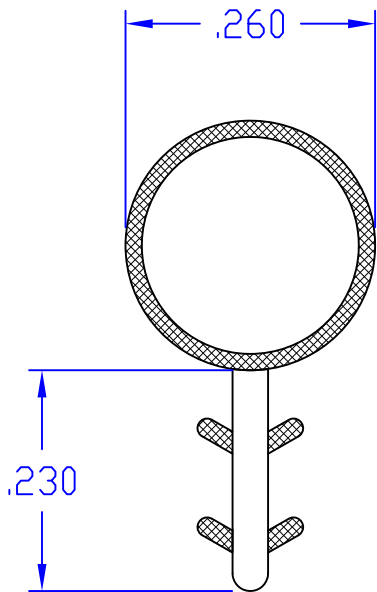


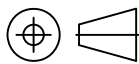


REV	DESCRIPTION	DATE	ECO#	BY
-----	-------------	------	------	----



REFER TO CAD DRAWING FOR ALL DIMENSIONS NOT FULLY CONSTRAINED.

1:1 ACTUAL SIZE

 Amesbury Truth TM Engineered Solutions. Trusted Results.	INTERPRET PER: SAME Y14.5M-2009	DRAWING TITLE:		
	UNITS: INCH	- CUSTOMER PAGE -		
KERF MOUNT BULB SEAL	TOLERANCE UNLESS OTHERWISE SPECIFIED	DRAWN BY:	CHECKED BY:	
	 CRITICAL DIMENSIONS	SCALE:	SHEET: 1 OF 1	
THE INFORMATION CONTAINED IN THIS DRAWING IS CONFIDENTIAL AND PROPRIETARY. THIS DRAWING IS NOT TO BE COPIED OR REPRODUCED IN WHOLE OR IN PART WITHOUT EXPRESS WRITTEN CONSENT.	THIRD ANGLE PROJECTION 	CAD TYPE:	SIZE:	DRAWING #:
		AUTOCAD	A	PP0629
				REV: 5