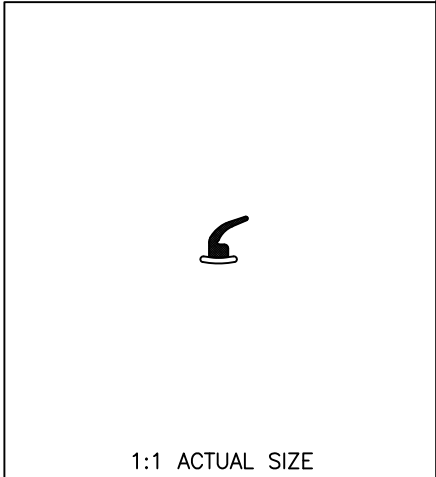
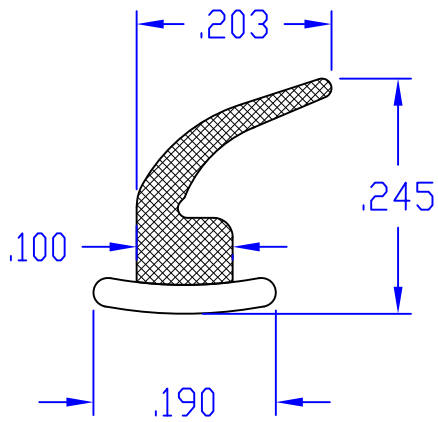


REV	DESCRIPTION	DATE	ECO#	BY
-----	-------------	------	------	----



REFER TO CAD DRAWING FOR ALL DIMENSIONS NOT FULLY CONSTRAINED.

1:1 ACTUAL SIZE



INTERPRET PER:
SAME Y14.5M-2009

DRAWING TITLE:

UNITS: INCH
TOLERANCE UNLESS
OTHERWISE SPECIFIED

- CUSTOMER PAGE -

DRAWN BY: DCL

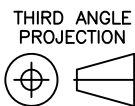
CHECKED BY:

T-SLOT LEAF SEAL

SCALE: 5:1

SHEET: 1 OF 1

THE INFORMATION CONTAINED IN THIS DRAWING IS CONFIDENTIAL AND PROPRIETARY. THIS DRAWING IS NOT TO BE COPIED OR REPRODUCED IN WHOLE OR IN PART WITHOUT EXPRESS WRITTEN CONSENT.



CAD TYPE: AUTOCAD

SIZE: A

DRAWING #: PP3465

REV: A