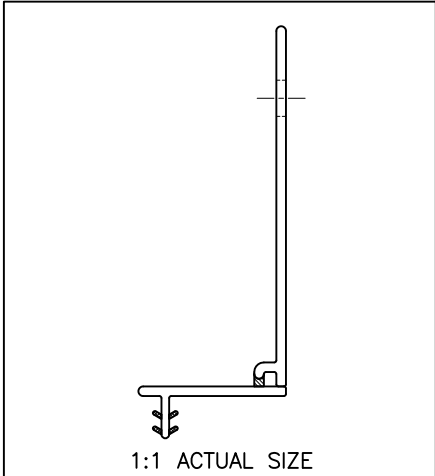
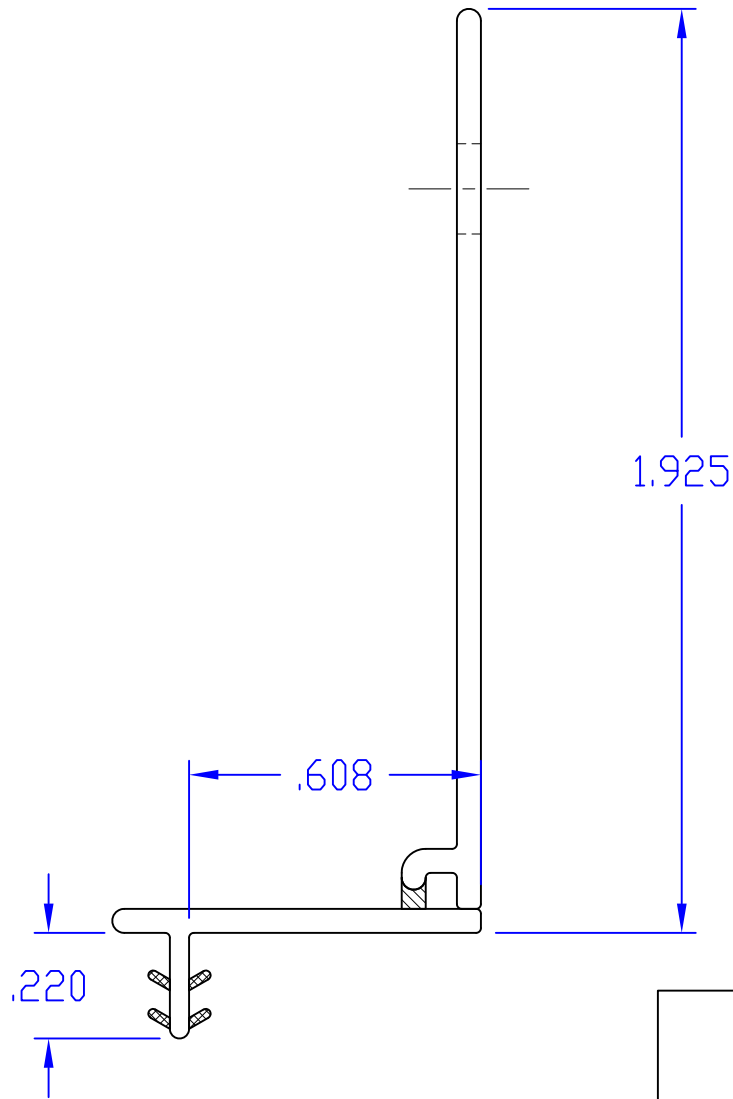


REV	DESCRIPTION	DATE	ECD#	BY
-----	-------------	------	------	----

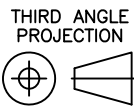


REFER TO CAD DRAWING FOR ALL DIMENSIONS NOT FULLY CONSTRAINED.



HINGED NAIL FIN

THE INFORMATION CONTAINED IN THIS DRAWING IS CONFIDENTIAL AND PROPRIETARY. THIS DRAWING IS NOT TO BE COPIED OR REPRODUCED IN WHOLE OR IN PART WITHOUT EXPRESS WRITTEN CONSENT.



INTERPRET PER:
SAME Y14.5M-2009

UNITS: INCH

TOLERANCE UNLESS OTHERWISE SPECIFIED



DRAWING TITLE:		- CUSTOMER PAGE -	
DRAWN BY: DCL		CHECKED BY:	
SCALE: 2.5:1		SHEET: 1 OF 1	
CAD TYPE: AUTOCAD	SIZE: A	DRAWING #: PP1712-1	REV: 1