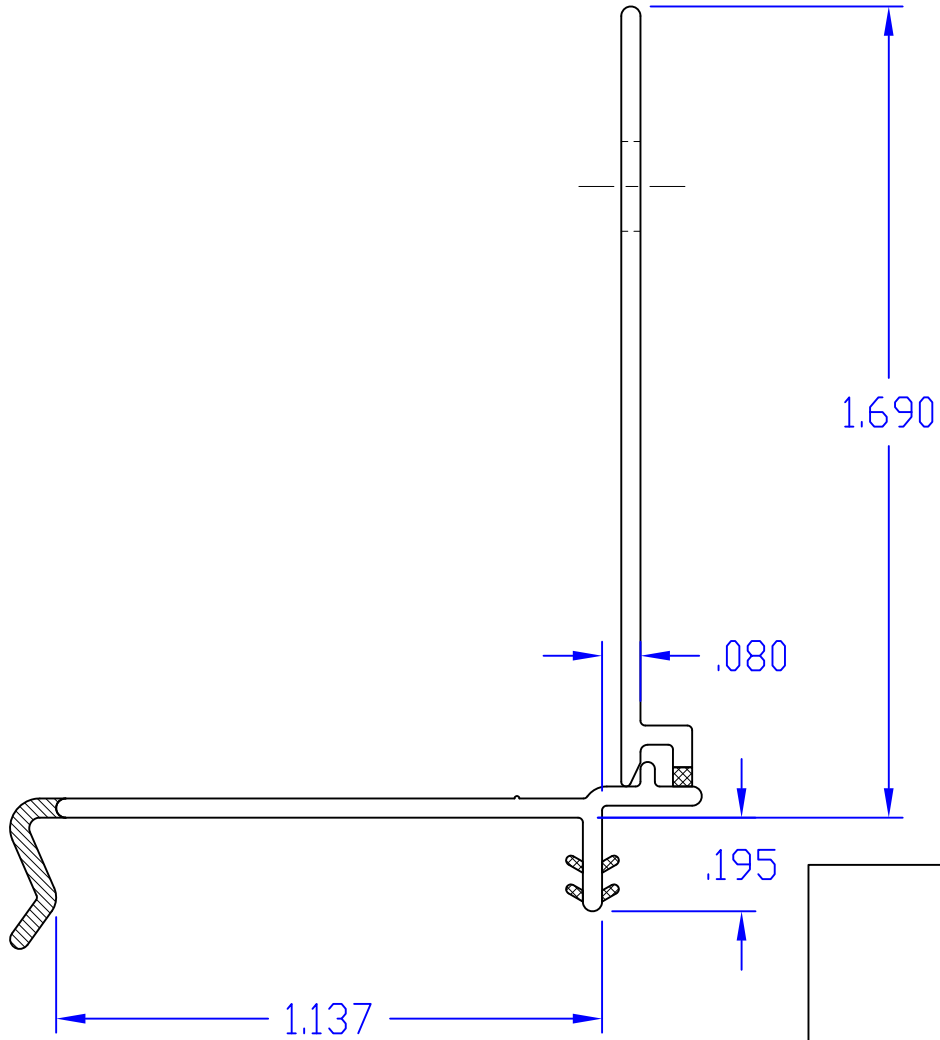


REV	DESCRIPTION	DATE	ECO#	BY
-----	-------------	------	------	----



REFER TO CAD DRAWING FOR ALL DIMENSIONS NOT FULLY CONSTRAINED.

1:1 ACTUAL SIZE



INTERPRET PER:
SAME Y14.5M-2009

UNITS: INCH

TOLERANCE UNLESS
OTHERWISE SPECIFIED

DRAWING TITLE:

- CUSTOMER PAGE -

DRAWN BY:

DCL

CHECKED BY:

DRIP CAP COMBINATION FIN

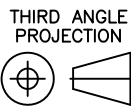
SCALE:

2.5:1

SHEET:

1 OF 1

THE INFORMATION CONTAINED IN THIS DRAWING IS CONFIDENTIAL AND PROPRIETARY. THIS DRAWING IS NOT TO BE COPIED OR REPRODUCED IN WHOLE OR IN PART WITHOUT EXPRESS WRITTEN CONSENT.



THIRD ANGLE
PROJECTION



CRITICAL
DIMENSIONS

CAD TYPE:

AUTOCAD

SIZE:

A

DRAWING #:

PP1410

REV:

3