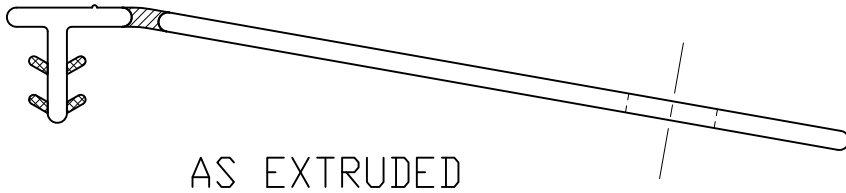
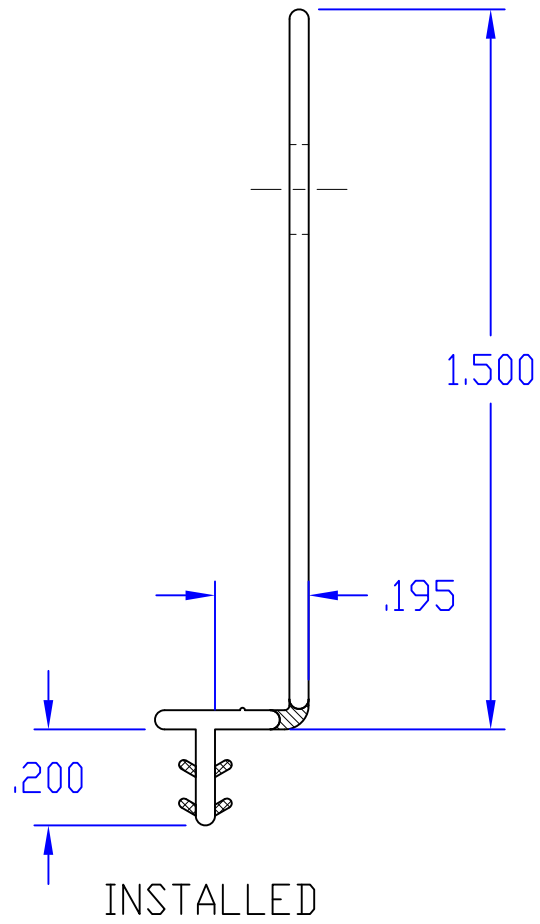


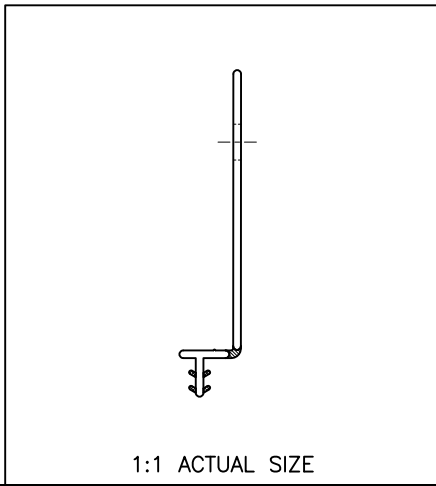
REV	DESCRIPTION	DATE	ECO#	BY
-----	-------------	------	------	----



AS EXTRUDED



INSTALLED



1:1 ACTUAL SIZE

REFER TO CAD DRAWING FOR ALL DIMENSIONS NOT FULLY CONSTRAINED.



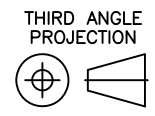
INTERPRET PER:  
SAME Y14.5M-2009  
UNITS: INCH  
TOLERANCE UNLESS  
OTHERWISE SPECIFIED

DRAWING TITLE:  
**- CUSTOMER PAGE -**

**HINGED NAIL FIN**

DRAWN BY: **DCL** CHECKED BY:  
SCALE: **2.5:1** SHEET: **1 OF 1**

THE INFORMATION CONTAINED IN THIS DRAWING IS CONFIDENTIAL AND PROPRIETARY. THIS DRAWING IS NOT TO BE COPIED OR REPRODUCED IN WHOLE OR IN PART WITHOUT EXPRESS WRITTEN CONSENT.



CAD TYPE: **AUTOCAD** SIZE: **A** DRAWING #: **PP1249** REV: **5**