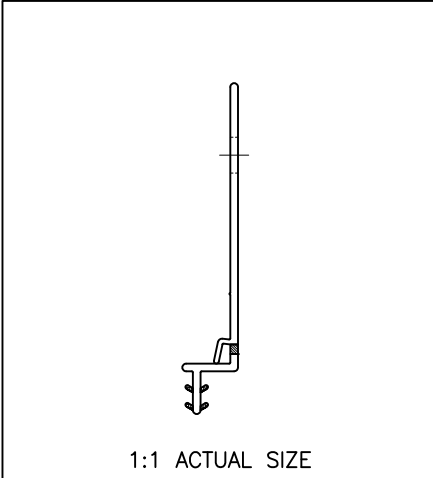
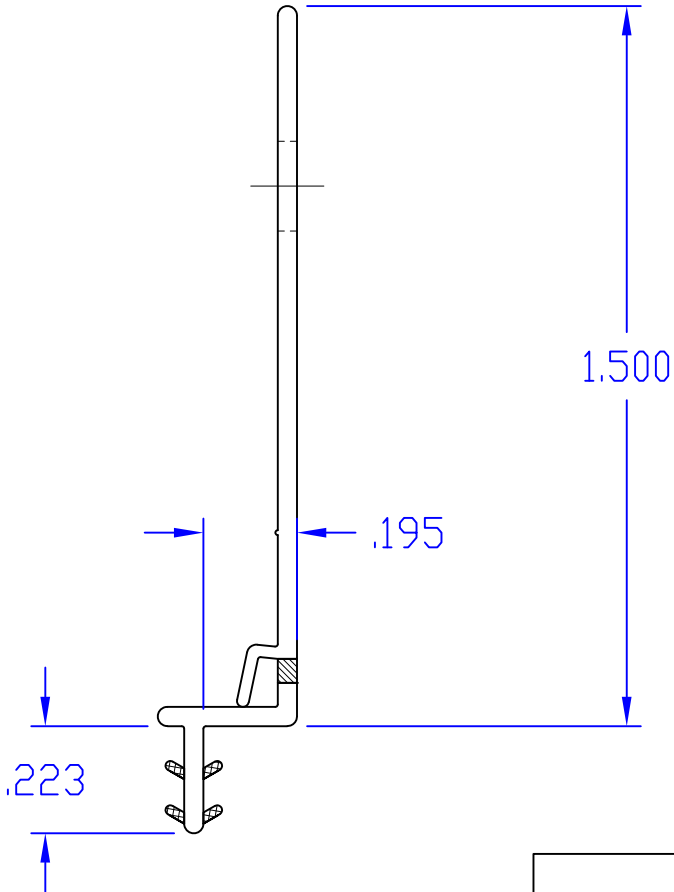


REV	DESCRIPTION	DATE	ECO#	BY
-----	-------------	------	------	----



REFER TO CAD DRAWING FOR ALL DIMENSIONS NOT FULLY CONSTRAINED.



INTERPRET PER:  
SAME Y14.5M-2009

DRAWING TITLE:  
**- CUSTOMER PAGE -**

UNITS: INCH

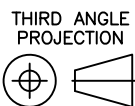
DRAWN BY: **DCL** CHECKED BY:

TOLERANCE UNLESS  
OTHERWISE SPECIFIED

**HINGED NAIL FIN**

SCALE: **2.5:1** SHEET: **1 OF 1**

THE INFORMATION CONTAINED IN THIS  
DRAWING IS CONFIDENTIAL AND  
PROPRIETARY. THIS DRAWING IS NOT TO  
BE COPIED OR REPRODUCED IN WHOLE  
OR IN PART WITHOUT EXPRESS WRITTEN  
CONSENT.



CAD TYPE:	SIZE:	DRAWING #:	REV:
AUTOCAD	<b>A</b>	<b>PP0679</b>	<b>11</b>